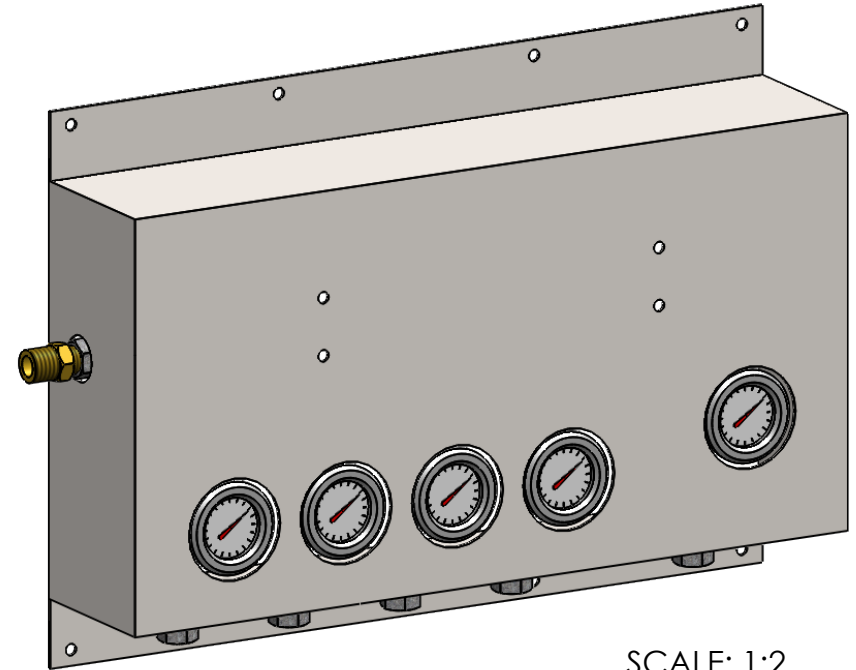
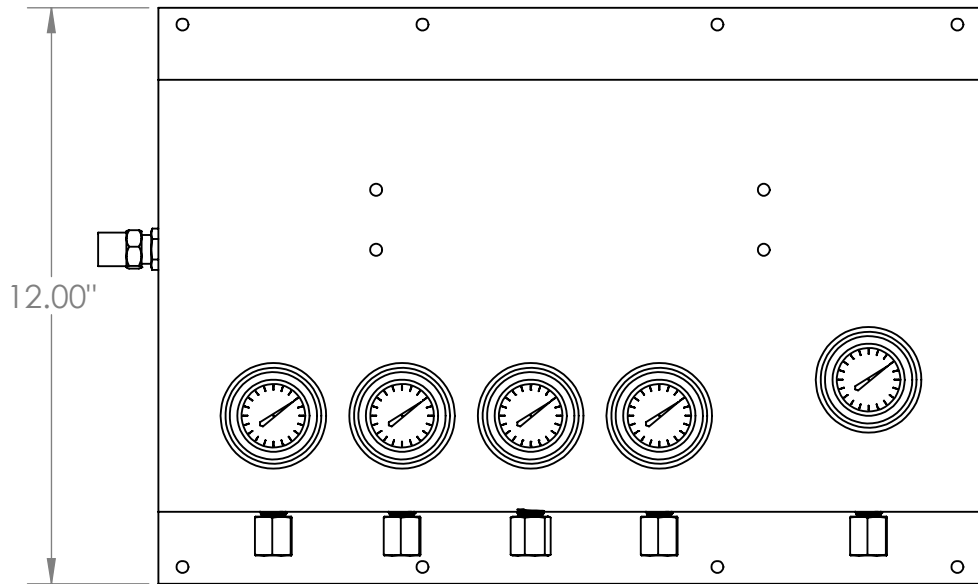
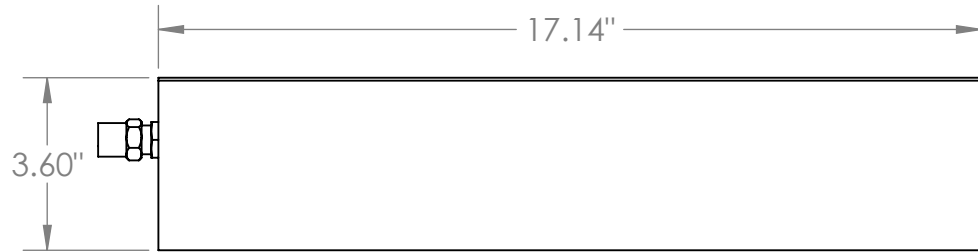


2

1



SCALE: 1:2

NOTE: CS5100 comes with (5) 44" High Pressure Beverage Hoses

NOTE: Depending on application, a CGA 320 or CGA 580 connection will be needed. Be sure to specify upon request.

B

B

A

A

PROPRIETARY AND CONFIDENTIAL
 THE INFORMATION CONTAINED IN THIS DRAWING IS THE SOLE PROPERTY OF MILLER CARBONIC, INC. ANY REPRODUCTION IN PART OR AS A WHOLE WITHOUT THE WRITTEN PERMISSION OF MILLER CARBONIC, INC. IS PROHIBITED.

		UNLESS OTHERWISE SPECIFIED:		NAME	DATE
		DIMENSIONS ARE IN INCHES	DRAWN	T.T.	6/30/2020
		TOLERANCES:	CHECKED	T.T.	6/30/2020
		FRACTIONAL ±	ENG APPR.		
		ANGULAR: MACH ± BEND ±	MFG APPR.		
		TWO PLACE DECIMAL ±0.05	Q.A.		
		THREE PLACE DECIMAL ±0.005			
		INTERPRET GEOMETRIC TOLERANCING PER:			
		MATERIAL			
		FINISH			
NEXT ASSY	USED ON				
APPLICATION		DO NOT SCALE DRAWING			

TITLE:
**CARBOSWITCH
 5100 - CLASSIC**



SIZE DWG. NO. REV
A CS5100_C

SCALE: 1:4 WEIGHT: 14 LBS SHEET 1 OF 1

2

1